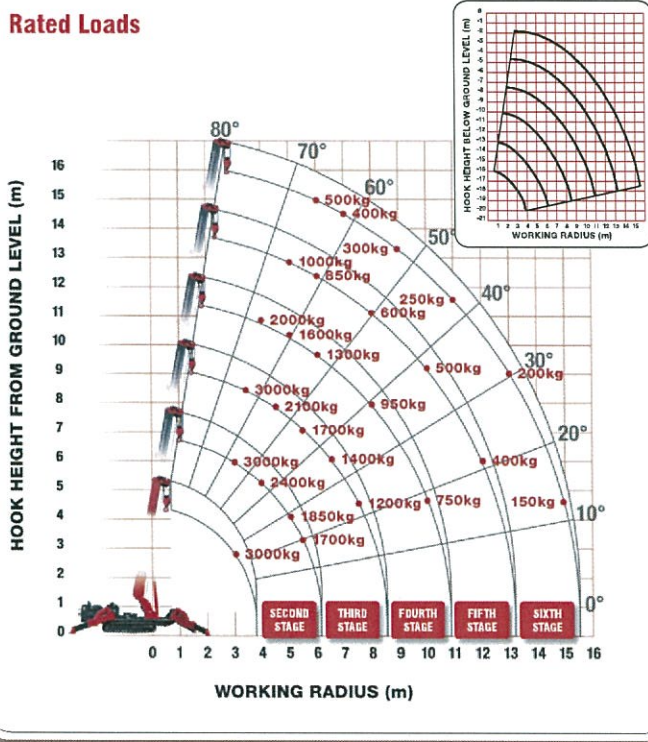
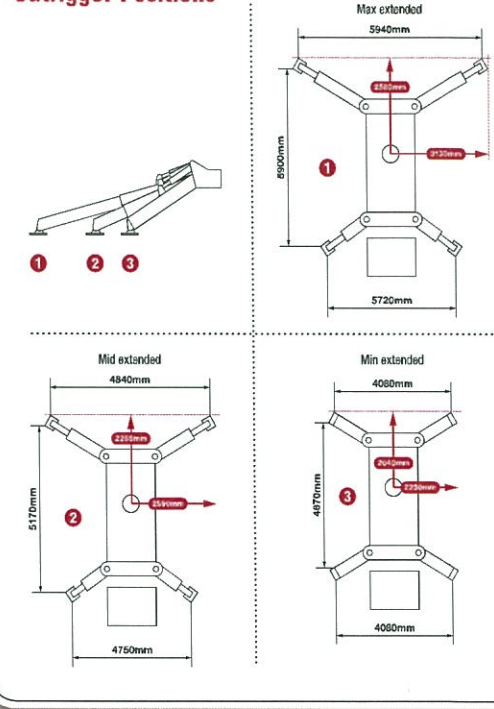


Rated Loads



Outrigger Positions



SECOND STAGE EXTENDED 3.93 - 6.33M BOOM LENGTH											
Working radius	m	up to 2.5	3.0	3.4	4.0	4.5	5.0	5.5	6.0	6.5	7.0
Outrigger	Max-extended	kg	3,000 (4,000)	3,000 (3,350)	3,000	2,400	2,100	1,850	1,700	1,550	1,400
	Mid-extended	kg	3,000 (4,000)	3,000 (3,350)	3,000	2,400	2,100	1,850	1,700	1,550	1,400
	Min-extended	kg	3,000 (4,000)	3,000 (3,350)	3,000	2,400	2,000	1,650	1,350	1,100	

* Loads shown in blue are applicable for the 5 tall hook block URW-505-1 only. All other loads shown in black apply to both the standard URW-505 and the URW-506-1.

THIRD STAGE EXTENDED 6.33 - 8.72M BOOM LENGTH													
Working radius	m	up to 3.0	3.4	4.0	4.5	5.0	5.5	6.0	6.5	7.0	7.5	8.53	
Outrigger	Max-extended	kg	3,000	3,000	2,400	2,100	1,850	1,700	1,550	1,400	1,300	1,200	1,000
	Mid-extended	kg	3,000	3,000	2,400	2,100	1,850	1,700	1,400	1,200	1,050	850	620
	Min-extended	kg	3,000	3,000	2,400	2,000	1,650	1,350	1,100	900	750	600	450

FOURTH STAGE EXTENDED 8.72 - 11.05M BOOM LENGTH												
Working radius	m	up to 4.0	4.5	5.0	5.5	6.0	7.0	8.0	9.0	10.0	10.86	
Outrigger	Max-extended	kg	2,000	1,800	1,600	1,450	1,300	1,100	950	850	750	640
	Mid-extended	kg	2,000	1,800	1,600	1,450	1,300	1,050	700	600	450	390
	Min-extended	kg	2,000	1,800	1,600	1,350	1,100	750	500	400	300	250

FIFTH STAGE EXTENDED 11.05 - 13.38M BOOM LENGTH												
Working radius	m	up to 5.0	5.5	6.0	7.0	8.0	9.0	10.0	11.0	12.0	13.19	
Outrigger	Max-extended	kg	1,000	920	850	700	600	550	500	450	400	350
	Mid-extended	kg	1,000	920	850	700	600	520	450	390	300	250
	Min-extended	kg	1,000	920	850	700	500	400	300	250	200	170

SIXTH STAGE EXTENDED 13.38 - 15.71M BOOM LENGTH												
Working radius	m	up to 6.0	7.0	8.0	9.0	10.0	11.0	12.0	13.0	14.0	15.52	
Outrigger	Max-extended	kg	500	400	350	300	250	250	200	200	150	150
	Mid-extended	kg	500	400	350	300	250	250	200	200	150	150
	Min-extended	kg	500	400	350	300	250	230	200	170	150	100

