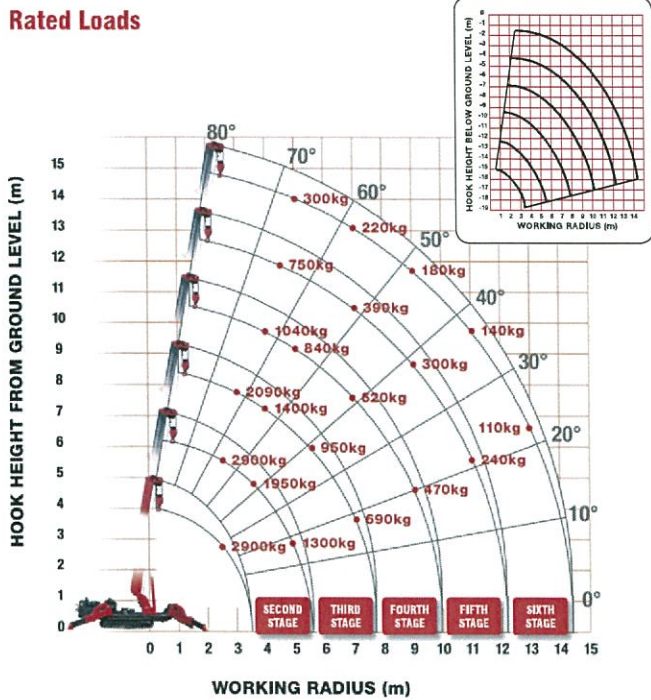
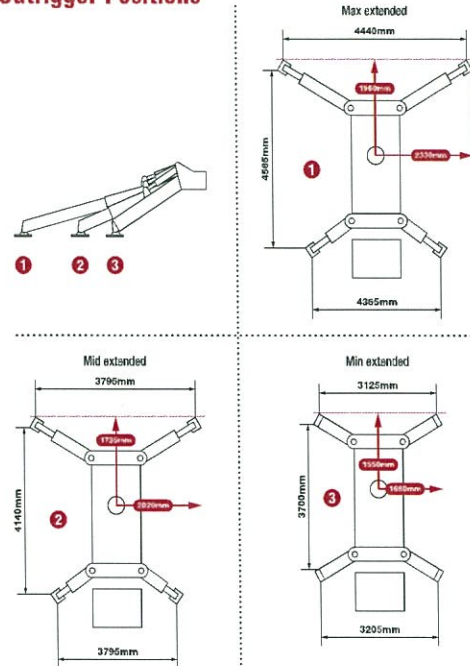


Rated Loads



Outrigger Positions



SECOND STAGE

SECOND STAGE EXTENDED 3.63 - 5.85 BOOM LENGTH

Working radius	m	up to	2.0	2.5	3.0	3.5	4.0	4.5	5.0	5.69
Outrigger Max-extended	kg	2,900	2,900	2,350	1,950	1,670	1,450	1,300	1,070	
Outrigger Mid-extended	kg	2,900	2,900	2,320	1,920	1,570	1,250	990	770	
Outrigger Min-extended	kg	2,900	2,900	2,170	1,500	1,120	900	720	470	

THIRD STAGE

THIRD STAGE EXTENDED 5.85 - 8.04M BOOM LENGTH

Working radius	m	up to	2.7	3.0	3.5	4.0	4.5	5.0	5.5	6.0	7.0	7.88
Outrigger Max-extended	kg	2,240	2,090	1,650	1,400	1,220	1,070	950	840	690	590	
Outrigger Mid-extended	kg	2,240	2,060	1,650	1,390	1,170	1,000	820	640	450	370	
Outrigger Min-extended	kg	2,240	2,060	1,570	1,220	1,020	830	650	510	300	190	

FOURTH STAGE

FOURTH STAGE EXTENDED 8.04 - 10.23M BOOM LENGTH

Working radius	m	up to	4.0	4.5	5.0	6.0	7.0	8.0	9.0	10.07
Outrigger Max-extended	kg	1,040	930	840	730	620	520	470	380	
Outrigger Mid-extended	kg	1,030	920	830	670	500	380	280	200	
Outrigger Min-extended	kg	1,030	820	640	470	310	220	130	90	

FIFTH STAGE

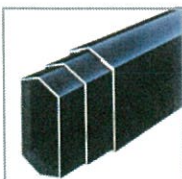
FIFTH STAGE EXTENDED 10.23 - 12.42M BOOM LENGTH

Working radius	m	up to	4.5	5.0	6.0	7.0	8.0	9.0	10.0	11.0	12.26
Outrigger Max-extended	kg	750	620	480	390	340	300	270	240	230	
Outrigger Mid-extended	kg	750	620	470	390	320	270	220	170	130	
Outrigger Min-extended	kg	750	620	400	250	180	130	90	60	10	

SIXTH STAGE

SIXTH STAGE EXTENDED 12.42 - 14.61M BOOM LENGTH

Working radius	m	up to	4.9	5.5	6.0	7.0	8.0	9.0	10.0	11.0	12.0	13.0	14.45
Outrigger Max-extended	kg	300	270	250	220	200	180	160	140	130	110	100	
Outrigger Mid-extended	kg	300	270	250	220	200	180	160	120	90	60	40	
Outrigger Min-extended	kg	300	270	250	220	170	110	80	50	30	20	10	



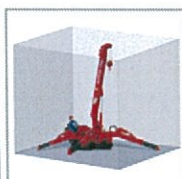
Hexagonal beam minimises sway



Level operation on uneven sites



Optional mains power



Working area limitation



Low marking tracks